

## OM 160 ES

### Woofer

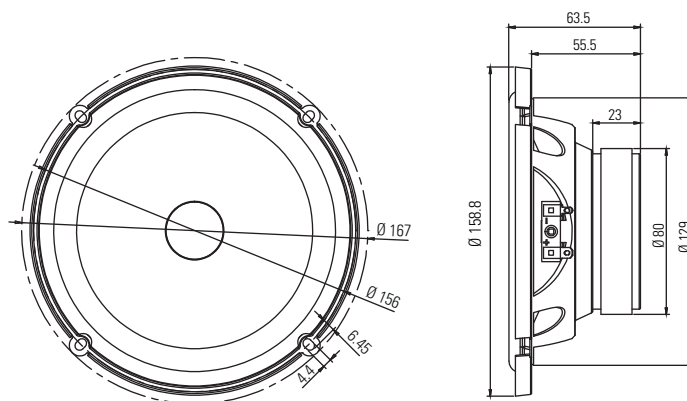
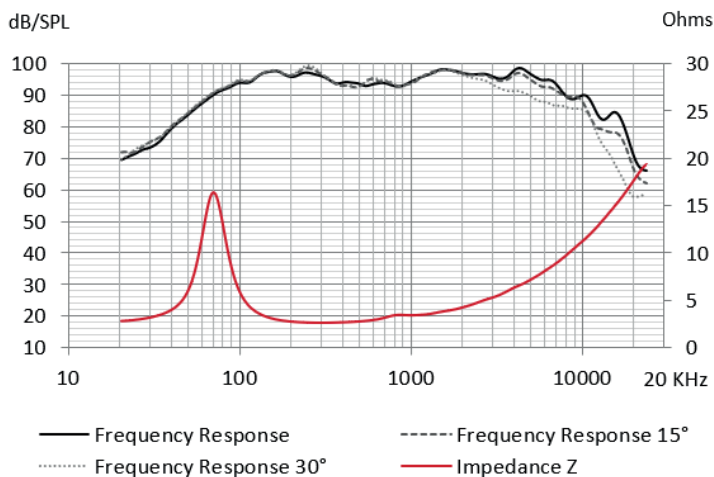
- Woofer 6-1/2" (165 mm)
- Max power 120 W / Nom. power 60 W
- Frequency response 70 Hz - 8 kHz
- Sensitivity 93 dB
- Impedance 2 Ohms

Specific basket in stamped steel - Treated and topolized cellulose pulp cone - Butyl rubber surround - Long life "Conex" damper - 25 mm (1") voice coil with kapton former - 80 mm x 15 mm (3,1" x 0,6") motor assembly (Y30)

#### TECHNICAL SPECIFICATIONS

<b>Component</b>	Woofer	
<b>Max power</b>	120 W	
<b>Nominal power</b>	60 W	
<b>Impedance</b>	2 Ω	
<b>Freq. Response</b>	70,0 Hz - 8 KHz	
<b>Efficiency (2,83V/1m)</b>	93 dB	
<b>Magnet</b>	Ferrite magnet	
<b>Magnet size Ø x h</b>	80 x 15 mm	3.150" x 0.591"
<b>Total driver displacement</b>	0.11	0.004 cf
<b>Weight of one component</b>	0.84 kg	1,850 lb
<b>Voice coil Ø</b>	25 mm	0,984"
<b>Voice coil height</b>	10,6 mm	0.417"
<b>Cone</b>	Cellulose pulp	

#### FREQUENCY RESPONSE / IMPEDANCE



#### THIELE-SMALL PARAMETERS

<b>effective Ø (d)</b>	125 mm
<b>Sd</b>	122,7 cm <sup>2</sup>
<b>Xmax</b>	3,3 mm
<b>Re</b>	2.48 Ω
<b>Fs</b>	75,3 Hz
<b>Le</b>	465,00 µH @ 1 kHz
<b>L2</b>	5619,00 µH @10 kHz
<b>Vas</b>	10,02 L
<b>Mms</b>	9,52 g
<b>Cms</b>	0,469 m/N
<b>BL</b>	3,60 Tm
<b>Qts</b>	0,744
<b>Qes</b>	0,864
<b>Qms</b>	5,330
<b>Sensitivity (dB/W/m)</b>	89,01 dB

## ET13 Tweeter

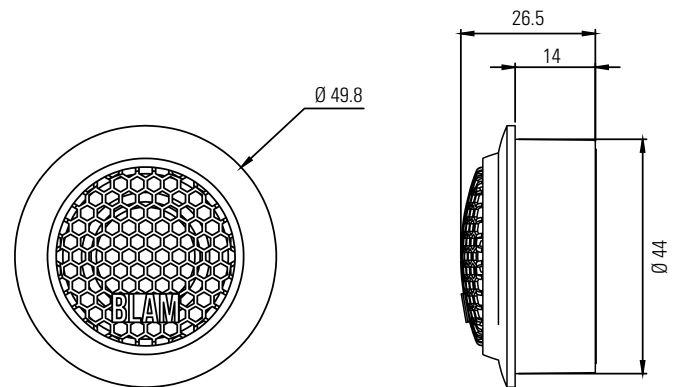
- 13 mm (1/2") mylar dome tweeter
- Max power 100 W / Nom. power 10 W
- Frequency response 2.5 kHz - 28 kHz
- Sensitivity 90 dB
- Impedance 3 Ohms

Mylar dome tweeter - 19 x 3 mm (0.75" x 0.12") Neodymium motor (N42) - Mounting accessories : recessed or inclined support

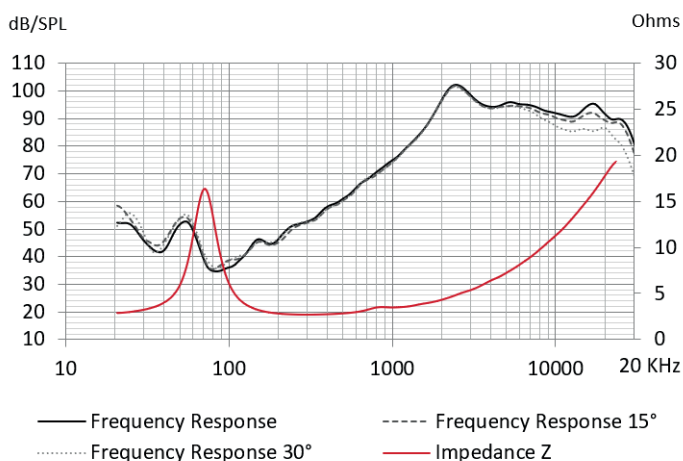


### TECHNICAL SPECIFICATIONS

Component	Tweeter	
Max power	100 W	
Nominal power	10 W	
Impedance	3 Ω	
Freq. Response	2.5 kHz - 28 kHz	
Efficiency (2,83V/1m)	90 dB	
Magnet	Neodymium N42	
Magnet size Ø x h	12 x 3 mm	0,472" x 0,118"
Total driver displacement	-	-
Weight of one component	0.032 kg	0,071 lb
Voice coil Ø	13 mm	0,512"
Voice coil height	1,5 mm	0.059"
Cone	mylar dome	



### FREQUENCY RESPONSE / IMPEDANCE



### THIELE-SMALL PARAMETERS

effective Ø (d)	18 mm
Sd	3.14 cm <sup>2</sup>
Xmax	-
Re	3.3 Ω
Fs	2500 Hz
Le	-
L2	-
Vas	-
Mms	-
Cms	-
BL	-
Qts	-
Qes	-
Qms	-
Sensitivity (dB/W/m)	86 dB